

Cambridge Battery Powered Motion Sensor Light




CONTENTS:

2 x Wall Plugs 

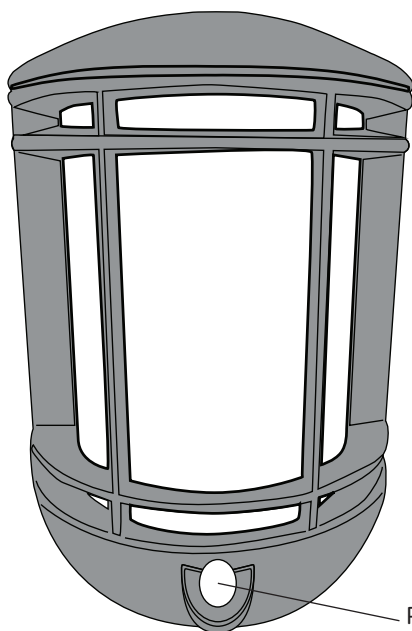
2 x Screws 

Battery Cover x 1 

Rubber Gasket x 1 

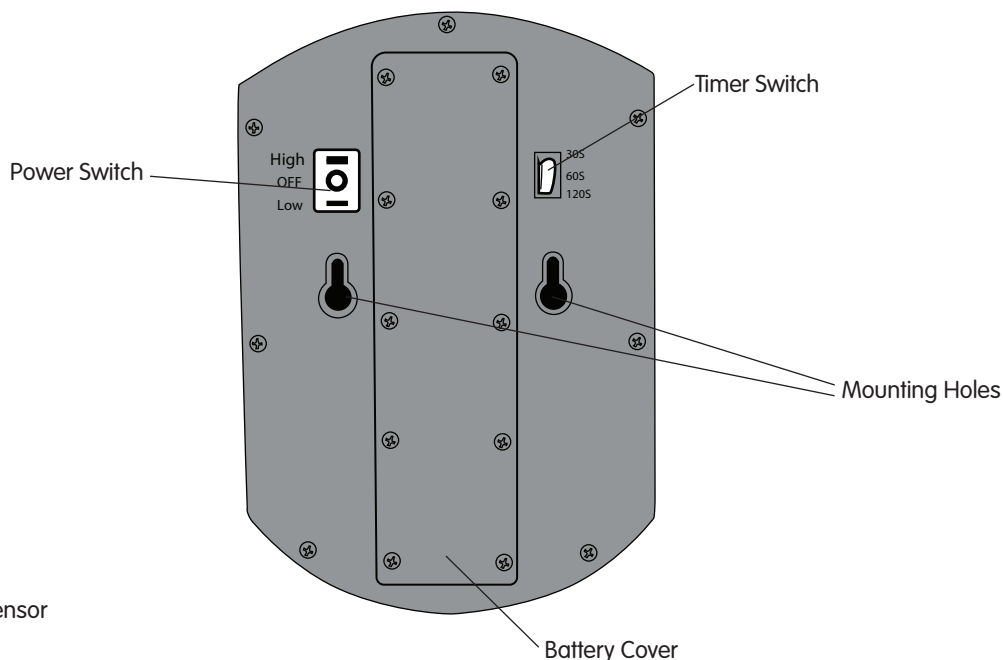
Battery Cover Screws x 10 

Front



PIR Motion Sensor

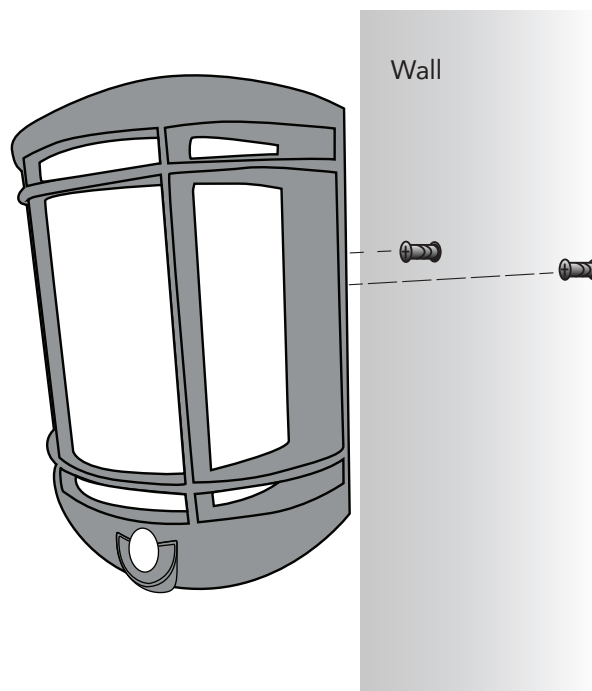
Back



INSTALLATION:

IMPORTANT! Before installing, ensure you insert 3 x 1.5V D Cell Alkaline batteries and select the desired mode (High or Low) from the Power Switch and the desired Time setting from the Timer switch. See reverse side for battery installation.

1. The light arrives with the battery cover, a rubber gasket and 10 screws uninstalled. Insert 3 x D Cell (1.5V) Alkaline batteries into the battery compartment.
2. Determine the desired location for the light to be installed. Mark the exact mounting location by using the included hole template as a guide. Mark the drill holes with a pen or pencil for easy identification.
3. Drill two holes through the marked spots on the wall.
4. If mounting into drywall, ensure you insert the included wall plugs into the drilled holes. Fasten the two screws into the wall or wall plugs. When installing the screws, be sure to leave 1/4" extending out. If the screw is installed all the way in, it will prevent the light unit from being mounted.
5. Slide the holes on the light housing over the screw heads and push down gently to lock in place.



Cambridge Battery Powered Motion Sensor Light



USE:

1. This unit is a battery operated security light with a PIR Motion Sensor. The unit will only come on when the Motion Sensor has been triggered. The Motion Sensor is at the bottom of the light. Once the Motion Sensor has been triggered, the light will illuminate for 30, 60 or 120 seconds depending upon the mode selected.
2. Using the timer switch, select the desired time of illumination: 30, 60 or 120 seconds.
3. Using the power switch, select either LOW or HIGH brightness mode. The middle position is OFF.
4. To save the battery life, it will not illuminate until the location is dark enough. The light sensor is located inside the light, ensure it is not placed in a location where other light sources (such as street lamps) shine on it as this may cause the light sensor to think it is still daylight.

HOW TO INSTALL/REMOVE BATTERIES:

1. The light arrives with the battery cover, a rubber gasket and 10 screws uninstalled. Insert 3 x D Cell (1.5V) Alkaline batteries into the battery compartment.
2. **IMPORTANT: Pay careful attention to the polarity of the batteries and ensure they are inserted in the correct direction. Failure to install batteries in the correct direction may cause damage to the product.**
3. Once the batteries are inserted, place the rubber gasket around the edge of the battery compartment. The Battery Cover should be installed on top of the rubber gasket to ensure a water tight seal. Insert and tighten the included screws until tight. It is important to secure all screws included to prevent moisture from getting into the battery compartment. Failure to secure all the screws may allow water inside and damage the product.

SAFETY:

1. This light is intended for indoor or outdoor use.
2. Do not disassemble the unit.
3. Do not mix batteries. To prevent equipment damage, and possible injury, never mix batteries with different chemistries or voltages in the equipment at the same time.
4. Consumed batteries need to be disposed of properly. Follow the instructions on the battery package. Battery selling retailers provide special containers for environmentally friendly disposal.
5. Remove batteries from unit for long term storage to prevent damage from battery leakage.

