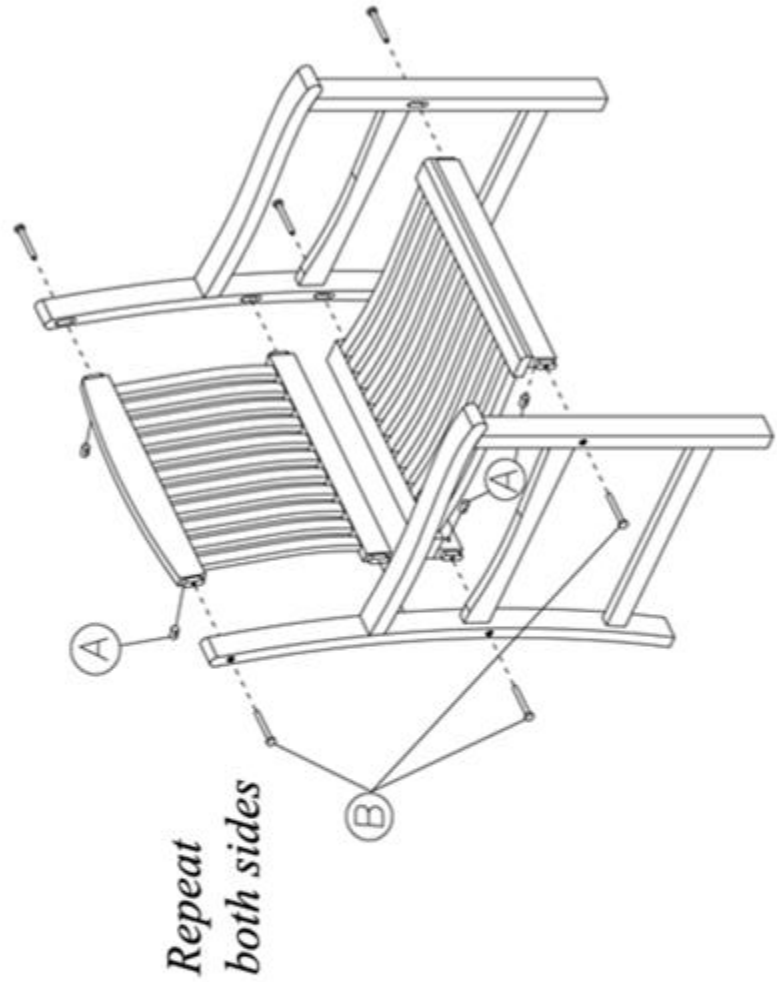


**Santorini Premium Teak Dining
Arm Chair Thin Slats**



Tighten all bolts using assembly tool provided



**QTY 6
BOLT M6 x 13**



**QTY 6
BOLT M6 x 80**

Assembly Tool





SANTORINI PREMIUM TEAK EXT

A
QTY 8
BOLT M8X15

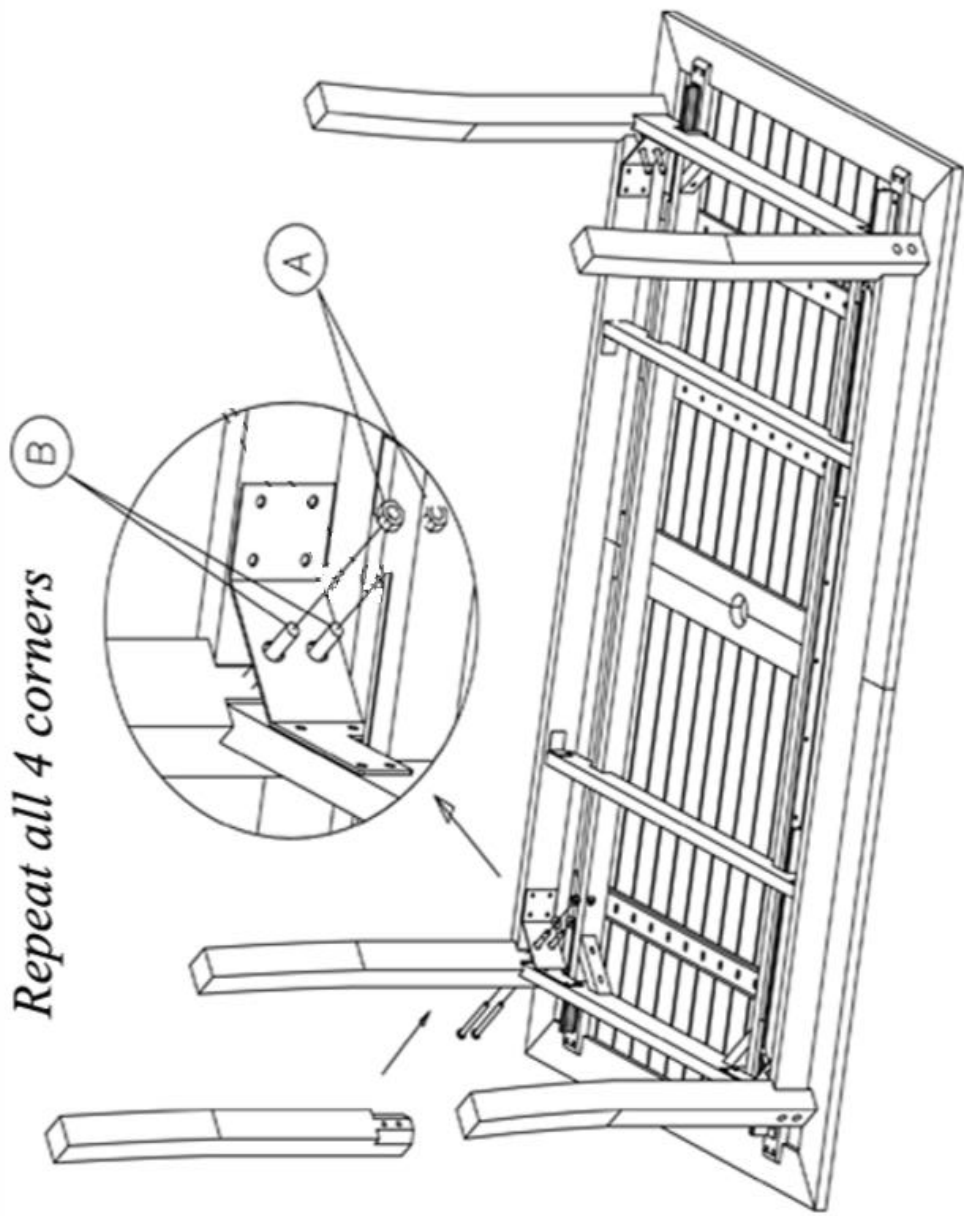


B
QTY 8
BOLT M8X90

Assembly Tool

Allenkey
QTY 1

Repeat all 4 corners



Tighten all bolts using assembly tool provided